



# FM200

## Mobile Phone 1D/2D Barcode Scanner



The FM200 is a desktop 1D/2D barcode scanner which enables you to scan barcodes of a mobile phone screen! It can be used as a validation device for e.g. mobile ticketing and mobile couponing applications.

### Product Features

- **High Acceptancy**

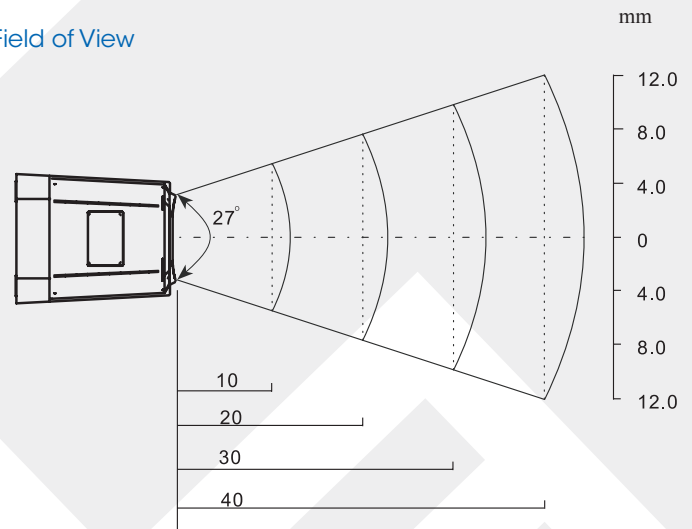
Through the well-designed light source, the FM200 is able to scan all kinds of high bright, low resolution mobile LED/LCD screen barcodes. The acceptancy on the anti-reflection and high density barcode scanning exceeds global standards. The FM200 covers most of the mobile phone screens from major brands for 1D/2D symbologies scanning.

- **Advanced Technology**

Includes core-technology **UIMG™**, which is independently designed and manufactured by Newland Auto-ID. **UIMG™** technology includes the optical, CMOS, digitizer, decoder, image processing & embedded systems. The scanner supports all global standard 1D barcode symbologies. Its' reading performance reaches and exceeds global standards. By using the accessories provided, the user can ideally set up the scanner to its user environment.

### Decode Zones

- **Field of View**



- **Decode Distances**

Barcode	Density(mil)	Near(mm)	Far(mm)
Code 39	5	0	15
Code 39	10	0	25
PDF417	5	0	20
PDF417	10	0	30
QR Code	10	0	25
QR Code	15	0	36
Data Matrix	10	0	25
Data Matrix	15	0	40



## FM200 Specifications

### Performance

Image Sensor	CMOS
Resolving	640 * 480
Interface	RS232 / HID-KBW / UDP / USB COM Port Emulation / HID-POS
Symbologies	2D PDF417, QR Code (Model 1/2), DataMatrix (ECC200, ECC000, 050, 080, 100, 140), Aztec, Chinese-Sensible Code, Maxicode, LP Code.
	1D Code128, EAN-13, EAN-8, Code39, UPC-A, UPC-E, Codabar, China post 25, Interleaved 2 of 5, ISBN/ISSN, Code 93, etc.
Precision	≥ 5mil
Light Source	LED (622 nm - 628 nm)
Light Intensity	290 LUX (130 mm)
Depth of Scan Field	0 ~ 40 mm
Print Contrast Signal	≥ 25%
Roll	360°
Pitch	45°
Yaw	45°
Illumination	0 ~ 100,000 LUX

### Mechanical/ Electrical

Power	2W
Consumption	
Voltage	DC 5 V
Current	Max 400 mA
	Working 300 mA
	Idle 1 mA
Weight	370g

### Environment

Operating Temperature	-5°C - +45°C
Storage Temperature	-40°C - +60°C
Humidity	5% - 95% ( non-condensing )

### Certificates

FCC Part15 Class B, CE EMC Class B

## Accessories

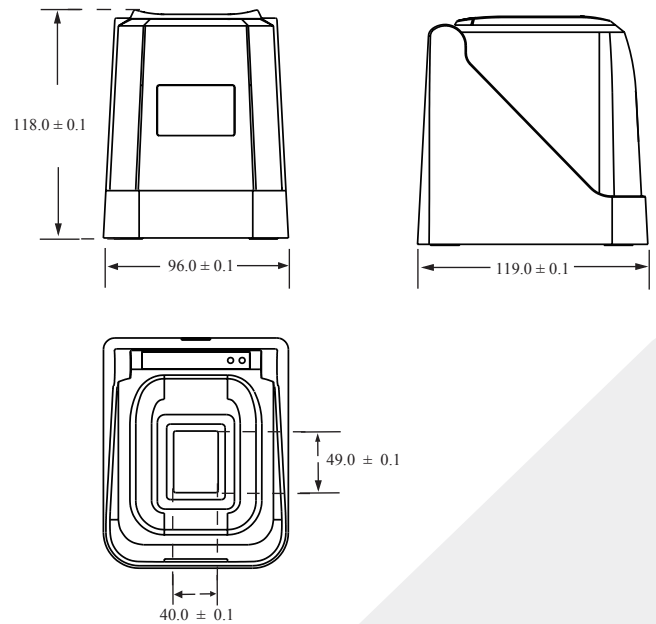
### Flex Cable

RS232 Cable	This cable connect to the data port of FM200 with a RJ45 port. With a standard female RS232 port to connect to standard male RS232 port. With a power port to accept power adapter supply.
USB Cable	This cable connect to the data port of FM200 with a RJ45 port. With a standard USB Slave port to connect to standard USB Host port.

### Power

Power Adapter	The power adapter for FM200 by the RS232 cable. Output: DC5V, 2A; Input: AC100~240V, 50~60HZ..
---------------	---

## Dimensions (mm)



## Applicable Accessories

### • Quick Set

Software tool in order to configure 2D barcode scanners based on the Microsoft Windows. Quick set connects the scanner engine through USB or RS-232, users are able to modify the scanner engine parameters in real-time.

### • User Manual / Programming Guide

A manual to explain the user the basics of the scanner and how to configure it. Furthermore, it enables the user to set the scanner to the specific wishes regarding scanning modes, readable barcodes and barcode formats.