

# Specifications

## ID TOOLS

2D	Data Matrix, QR Code, MicroQR Code
Bar code	EAN13, UPC-A, EAN8, UPC-E, Interleaved 2 of 5, Code 39, Code 128, Code 93

## VERIFICATION STANDARDS

AIM DPM Mark Quality Standard

## IMAGE

Sensor	1280 x 960 high-resolution pixel array
--------	--

## LIGHTING/OPTICS

Illumination	Integrated diffuser; bright- and dark-field LED's
Reading direction	Omni-directional, pitch and skew (off-axis) angles up to 35 degrees
Aiming	Horizontal green light bar aimed at center of field of view

## I/O

Trigger	Via trigger switch in the handle
Additional outputs	Multifunctional LED and beeper to indicate good read, device status, or errors

## COMMUNICATIONS

Interfaces	
7500/7500LR/7500V	USB and/or RS-232 for data communication, set-up, and image preview. PS2 keyboard wedge, PS2 or USB keyboard emulation

## COMMUNICATIONS (cont.)

7550/7550LR/7550V	Reader to base station: Bluetooth class 2 (10m range) Base station to PC: USB/RS-232/PS2
-------------------	--

## POWER

Electrical requirements	
7500/7500LR/7500V	5VDC, 5 watts
7550/7550LR/7550V	9VDC, 18 watts

## Battery

7550/7550LR/7550V	Eight hours normal use fully charged at 25°C (77°F)
-------------------	---

## MECHANICAL

Dimensions*	Height: 175mm (6.9in) Width: 134mm (5.3in) Depth: 81mm (3.3in)
Verifier standoff depth	15mm (0.6in)
Material	Polycarbonate housing with shock-absorbing rubber overmold

## Weight

7500/7500LR/7500V**	270g (9.6oz)
7550/7550LR/7550V**	Reader (with battery): 330g (11.7oz) Base: 250g (8.8oz)

\* Orientation with camera axis horizontal, verifier standoff not attached

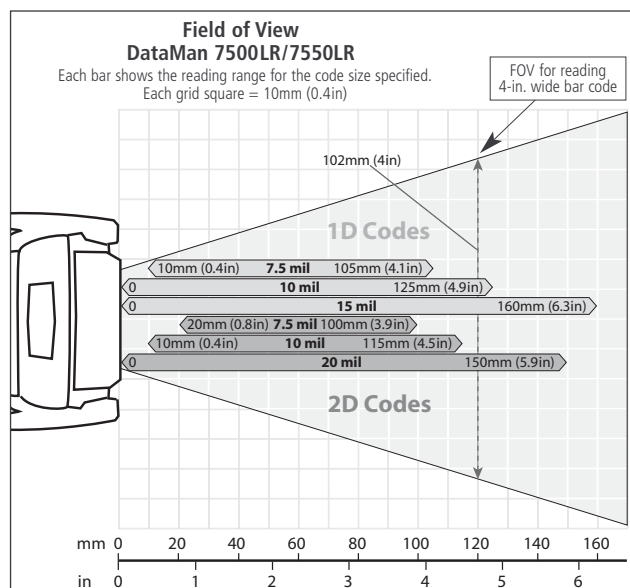
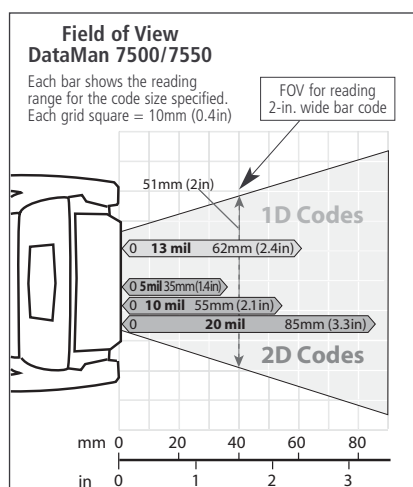
\*\* Verifier standoff not attached. Additional verifier standoff weight: 15g (.48oz)

## ENVIRONMENTAL

Operating temperature	
7500/7500LR/7500V	-10°C to +50°C (14°F to +122°F)
7550/7550LR/7550V	0°C to +50°C (32°F to +122°F)
Storage temperature	
7500/7500LR/7500V	-40°C to +70°C (-40°F to +158°F)
7550/7550LR/7550V	-40°C to +60°C (-40°F to +140°F)
Charging temperature	0°C to +40°C (32°F to +104°F)
Operating humidity	0% – 95%, non-condensing
Storage humidity	0% – 95% non-condensing
Drop test	
7500/7500LR/7500V*	50 drops from 2 meters onto concrete
7550/7550LR/7550V*	25 drops from 2 meters onto concrete * Verifier standoff not attached.
Certifications	CE, (FCC, UL, and CSA pending) Please check with your Cognex sales engineer regarding the regulatory status of models 7550 and 7550LR in countries other than the US, Europe, Japan and Canada.
IP rating	Reader: IP54 Base station: IP41

## SYSTEM REQUIREMENTS

Microsoft Windows XP, 64MB of memory (RAM)



## COGNEX

**Corporate Headquarters**  
Cognex Corporation  
One Vision Drive  
Natick  
MA 01760-2059  
USA  
Tel: 508-650-3000  
Fax: 508-650-3344  
[www.cognex.com](http://www.cognex.com)

### United States

Natick, Massachusetts  
Nashville, Tennessee  
Detroit, Michigan  
Chicago, Illinois  
Mountain View, California

### [www.cognex.com](http://www.cognex.com)

508-650-3000  
615-844-6158  
248-668-5100  
630-649-6300  
650-969-4812

### Europe

France  
Germany  
Ireland  
Italy  
Netherlands  
Spain  
Sweden  
Switzerland  
United Kingdom

### [www.cognex.net](http://www.cognex.net)

+33 1 4777 1550  
+49 721 6639 0  
+353 1 825 4420  
+39 02 6747 1200  
+31 402 668 565  
+34 93 445 67 78  
+46 21 14 55 88  
+41 71 313 06 05  
+44 1908 206 000

### Canada

[www.cognex.com](http://www.cognex.com)  
905-634-2726  
[www.cognex.co.jp](http://www.cognex.co.jp)  
+81 3 5977 5400  
[www.cognex.net](http://www.cognex.net)  
+86 21 6320 3821  
+82 2 539 9047  
+65 632 55 700  
+886 3 578 0060